

# SPS 80mm Push-in Sheet Vinyl Floor Cleanout

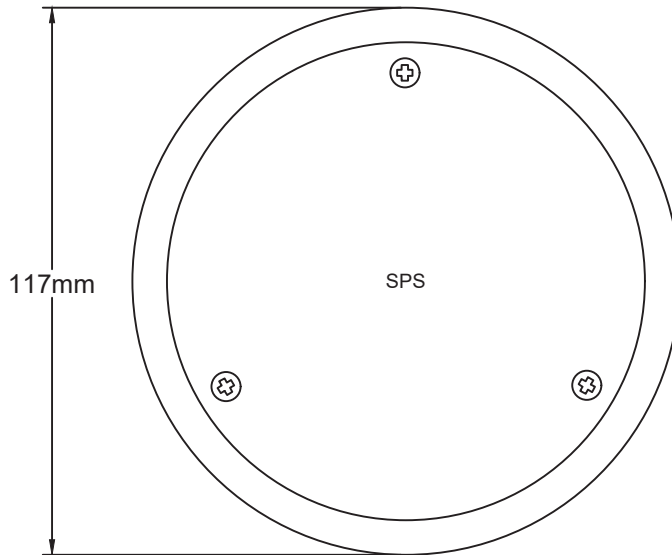
**Specification codes:**

VH80SPA (304 stainless steel ring & grate, ABS body)

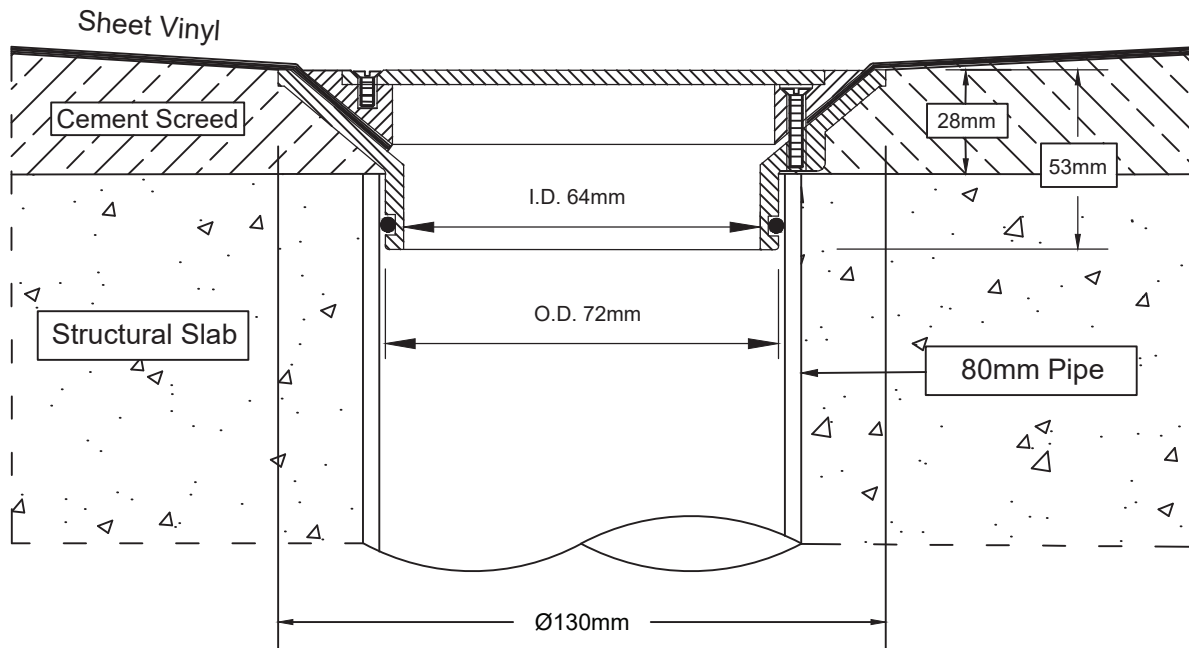
V80SPA (All-304 stainless steel assembly)

For bead-blast (slip resistant) finish, use suffix -N

- Push-in cleanout assembly for sheet vinyl flooring.
- Vinyl floor drain body available in ABS and 304. 316SS body available by special order.
- Ring & grate available in polished 304, which can be bead-blasted for slip-resistant finish.
- O-rings adapt outlet to 80mm PVC & copper pipe.



## Typical Application



Metabronze Industries Ltd.

Office: 09 441 3824 Email: sales@metabronze.co.nz Website: metabronze.co.nz