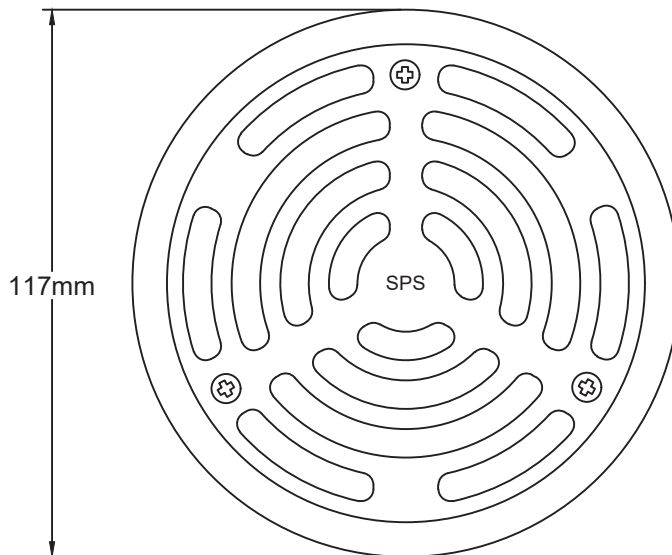


# SPS 80mm Push-in Sheet Vinyl Floor Waste

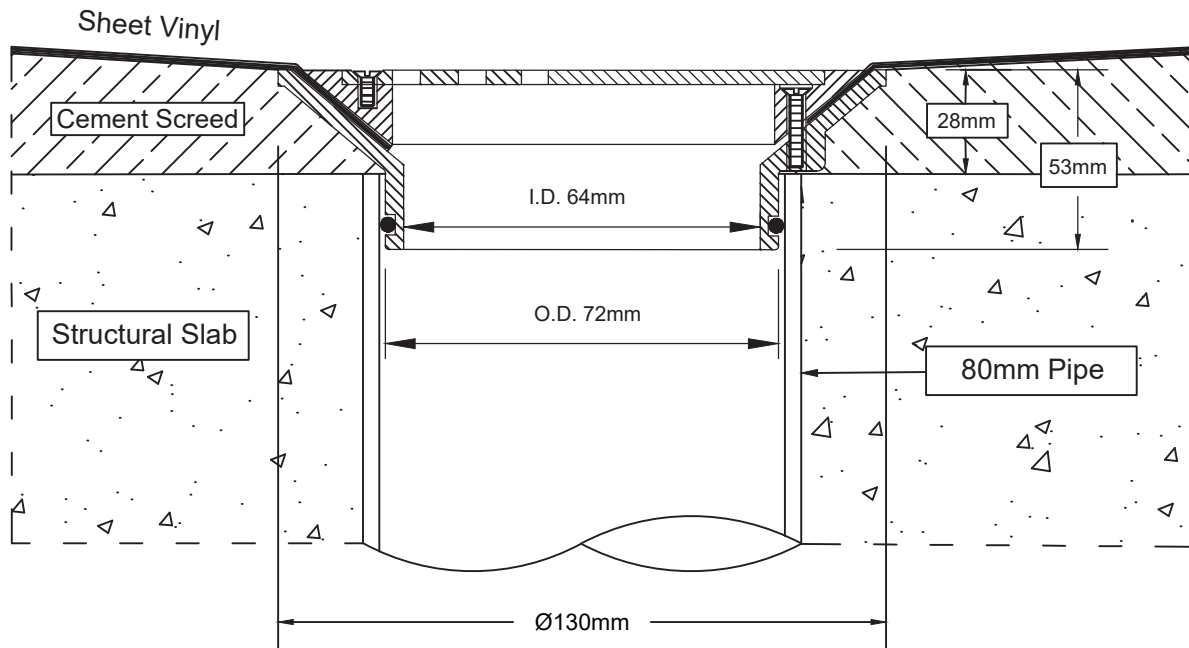
## Specification codes:

V80SVA (304 stainless steel ring & grate, ABS body)  
V80SVA6 (316 stainless steel ring & grate, ABS body)  
V80SSA4 (All-304 stainless steel assembly)  
V80SSA6 (316 SS ring/grate, 304SS body) \*special order\*

- Push-in floor waste assembly for sheet vinyl flooring.
- Vinyl floor drain body available in ABS and 304. 316SS body available by special order.
- Ring & grate available in polished 304 and 316 stainless steel.
- O-rings adapt outlet to 80mm PVC & copper pipe.



## Typical Application



Metabronze Industries Ltd.

Office: 09 441 3824 Email: sales@metabronze.co.nz Website: metabronze.co.nz