

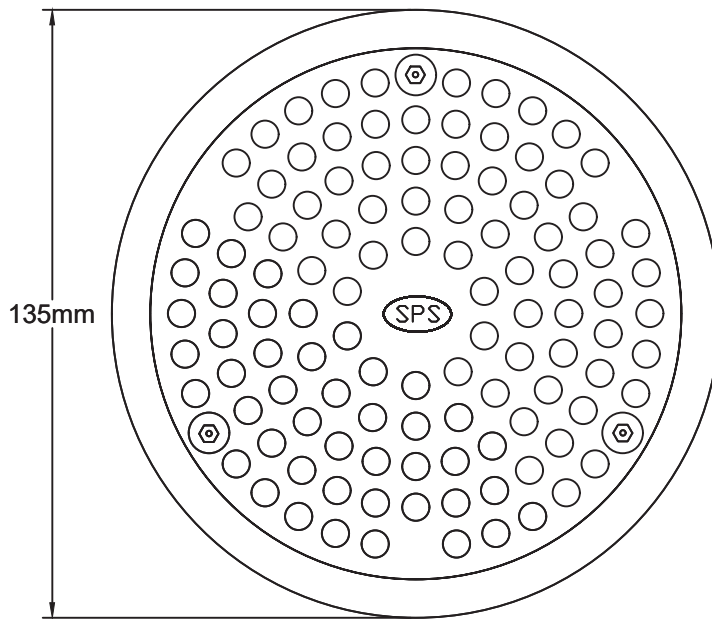
SPS 100mm Push-in Sheet Vinyl Floor Waste (Compact Security/Prison Model)

Specification codes:

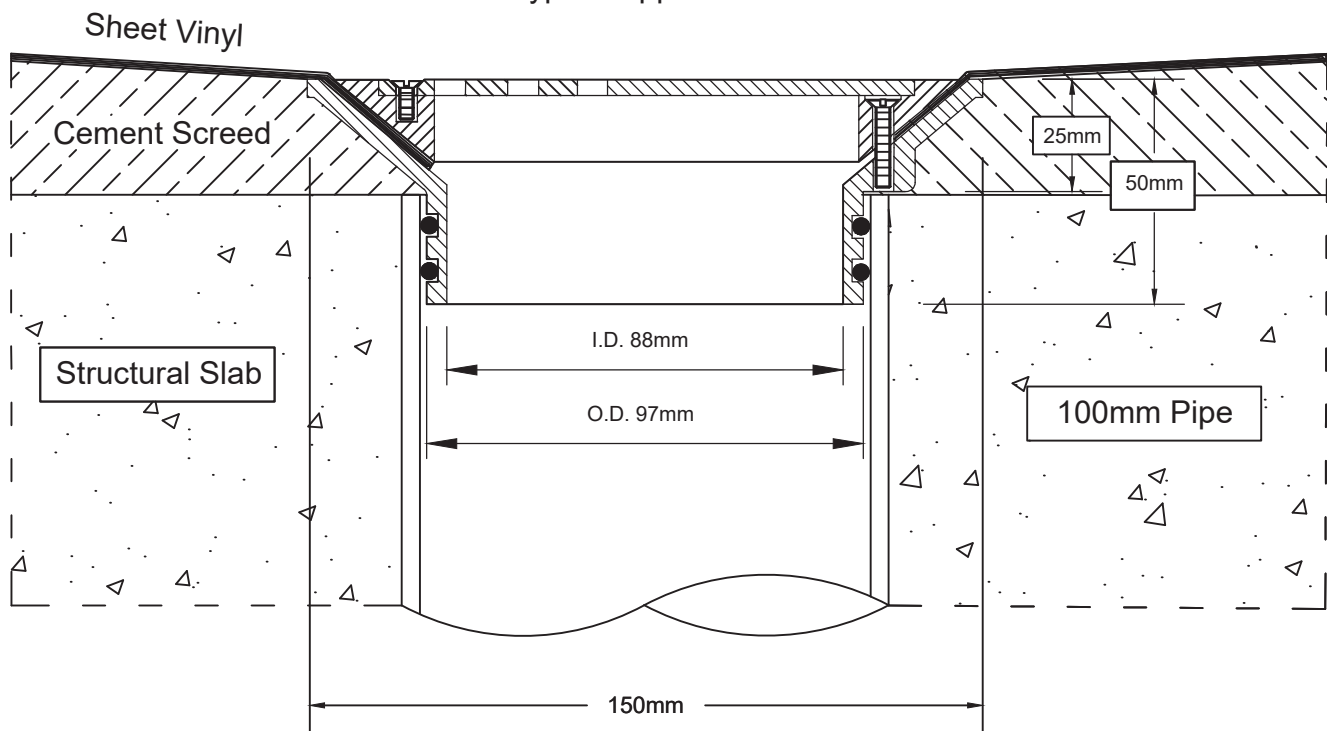
VH100SHA (ABS body, 304 stainless steel top)

V100SSHA4 (Assembly in 304 stainless steel)

- Push-in floor waste assembly for sheet vinyl flooring.
- Grate features security screws and 5mm holes.
- O-rings adapt spigot to 100mm PVC, copper, HDPE and CI pipe.



Typical Application



Metabronze Industries Ltd.

Office: 09 441 3824 Email: sales@metabronze.co.nz Website: metabronze.co.nz