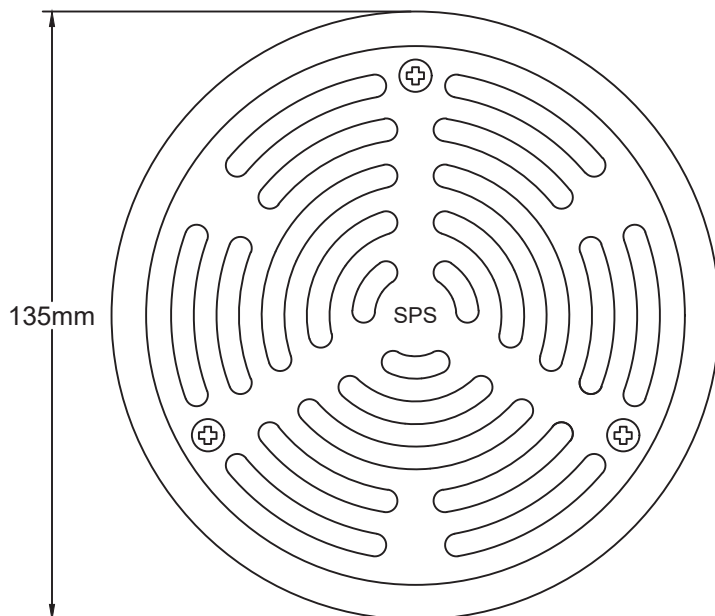


SPS 100mm Push-in Sheet Vinyl Floor Waste

Specification codes:

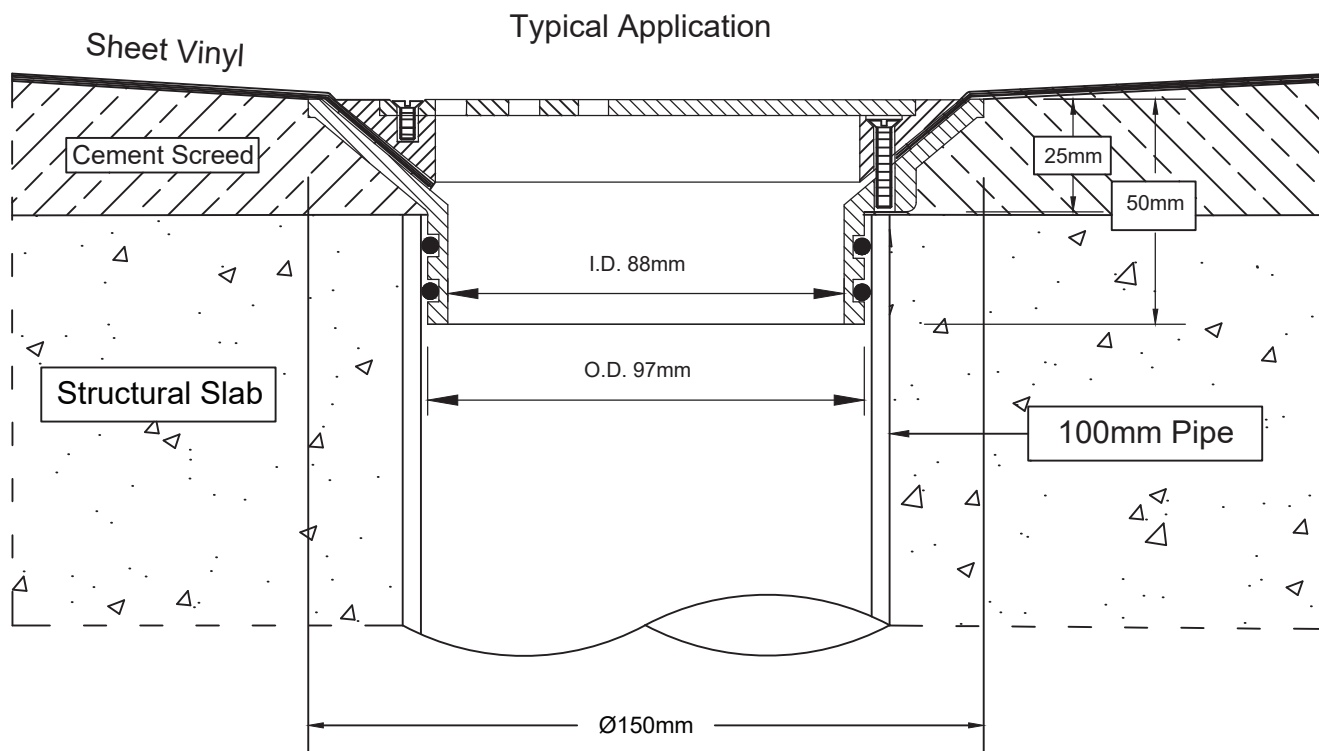
- V100SVA (ABS body, polished 304 SS ring & grate)
- V100SVA6 (ABS body, polished 316 SS ring & grate)
- V100SSA4 (Assembly in polished 304 stainless steel)
- V100SSA6 (Assembly in polished 316 stainless steel)

5mm bar x 5mm gap heel friendly design



- Push-in floor waste assembly for sheet vinyl flooring.
- Drain body available in ABS, zinc-alloy and 304 grade stainless steel. 316SS available by special order.
- Ring & grate available in chrome-plated zinc-alloy or polished 304 grade stainless steel. 316SS available by special order.
- O-rings adapt outlet to 100mm PVC, copper, HDPE or CI pipe.
- Watermarked under ATS5200:040 (ref: 20052)

⊕ — Tamper-proof screws optional



Metabronze Industries Ltd.

Office: 09 441 3824 Email: sales@metabronze.co.nz Website: metabronze.co.nz