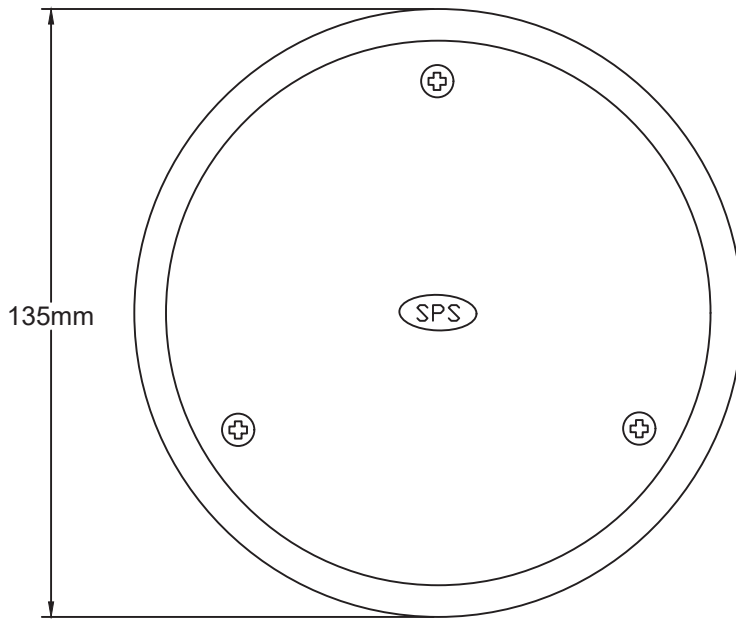


# SPS 100mm Push-in Sheet Vinyl Floor Cleanout (New Compact Top Model)

**Specification codes:**

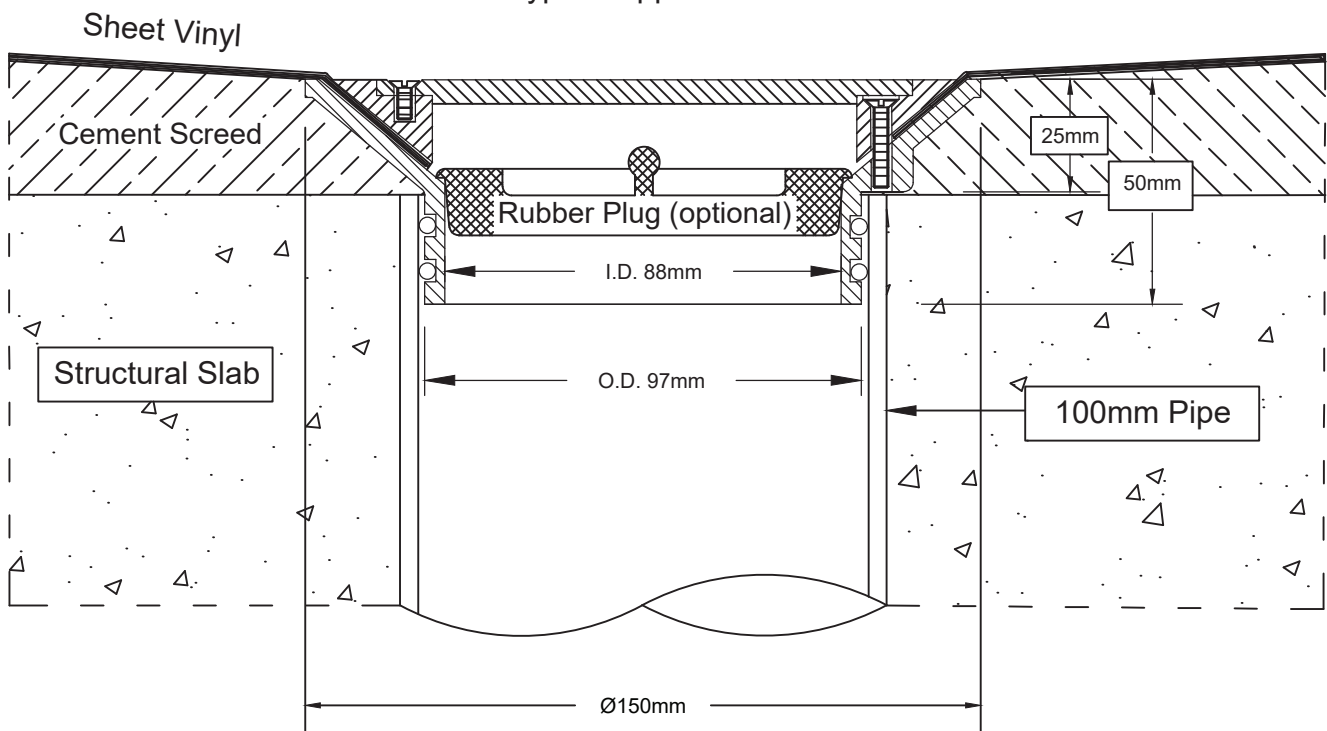
V100SPA (304SS body, polished 304 SS ring & lid)  
 V100SPNA (304SS body, non-slip 304 SS ring & lid)  
 For 316SS tops, add "6" to the above codes  
 For ABS plastic body, use "VH" instead of "V"

- Push-in floor cleanout assembly for sheet vinyl flooring.
- Drain body available in 304 stainless steel - ABS and 316 stainless steel options.
- Vinyl clamp ring & lid available in polished and non-slip 304 stainless steel. 316 stainless steel non-stock option.
- O-rings adapt outlet to 100mm PVC, copper, HDPE and CI pipe.



⊗ — Optional security screws

## Typical Application



Metabronze Industries Ltd.

Office: 09 441 3824 Email: sales@metabronze.co.nz Website: metabronze.co.nz