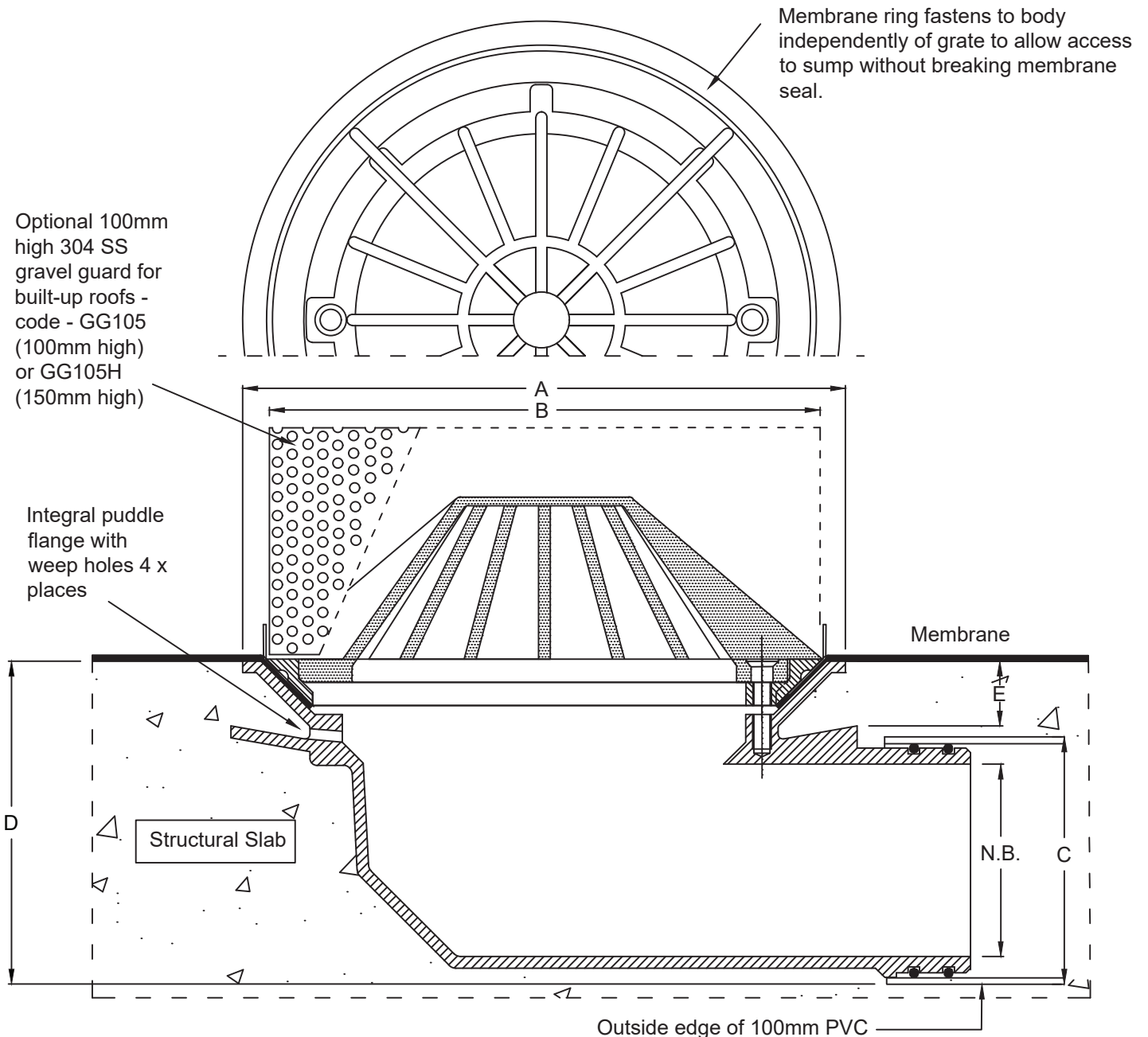


SPS Truflo 80mm & 100mm 90° RWO with Dome Grate & Membrane Ring

Specification codes:

TIA80/90D2 (80mm CI body, aluminium clamp ring & dome)
 TIB80/90D2 (80mm CI body, bronze ring & dome)
 TIA100/90D2 (100mm CI body, aluminium clamp ring & dome)
 TIB100/90D2 (100mm CI body, bronze ring & dome)

Suggested applications:
 Roof decks with pipe cast in



| N.B. | A | B | C | D | E |
|------|-----|-----|----|-----|----|
| 80 | 260 | 240 | 62 | 115 | 28 |
| 100 | 260 | 240 | 83 | 140 | 28 |

*For flow rate data please refer to the appendix.

Metabronze Industries Ltd.

Office: 09 441 3824 Email: sales@metabronze.co.nz Website: metabronze.co.nz