

SPS 100 & 150mm Truflo Special Downpipe Discharge Drain

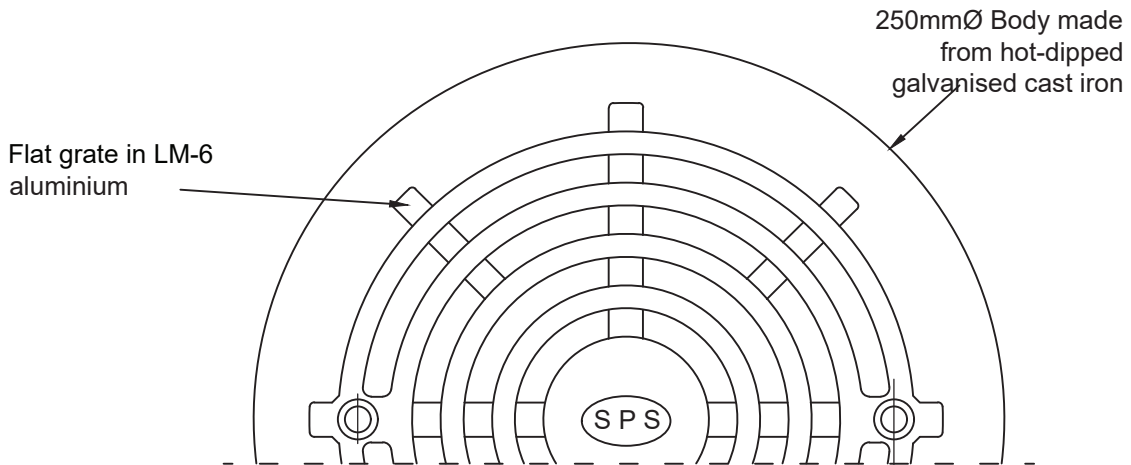
Specification codes:

T3150/100FE (Aluminium grate, galvanised CI body, 100mm outlet)

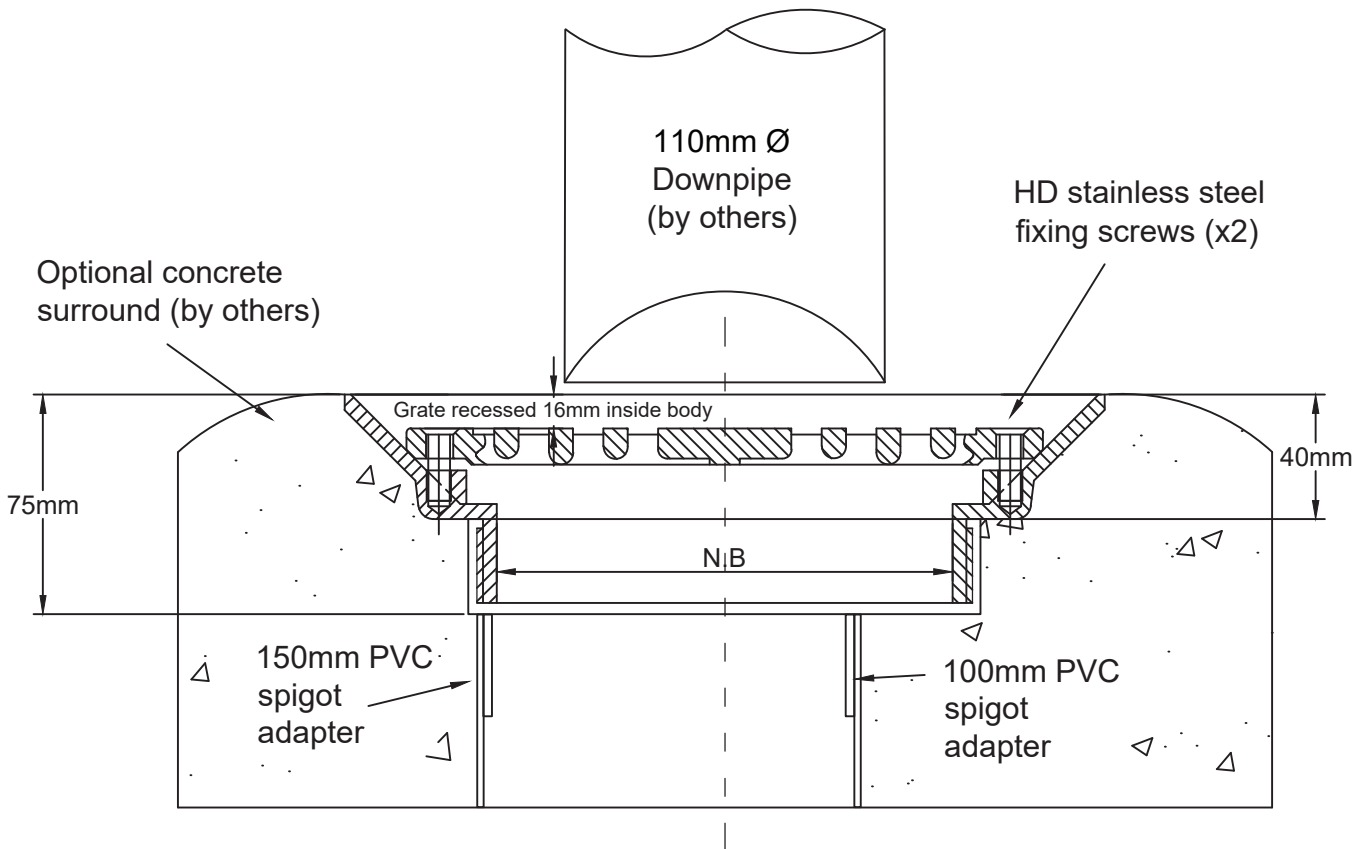
T3150FE (Aluminium grate, galvanised CI body, 150mm outlet)

Suggested application:

Rainwater inlet to be installed beneath the downpipes.



Typical Application



Metabronze Industries Ltd.

Office: 09 441 3824 Email: sales@metabronze.co.nz Website: metabronze.co.nz