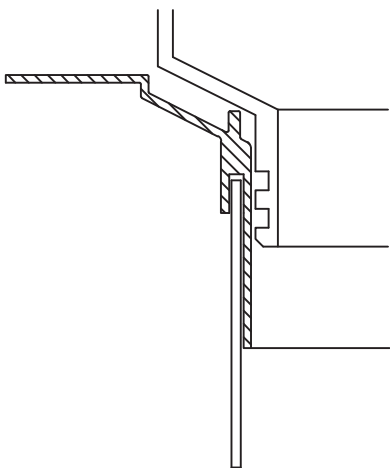
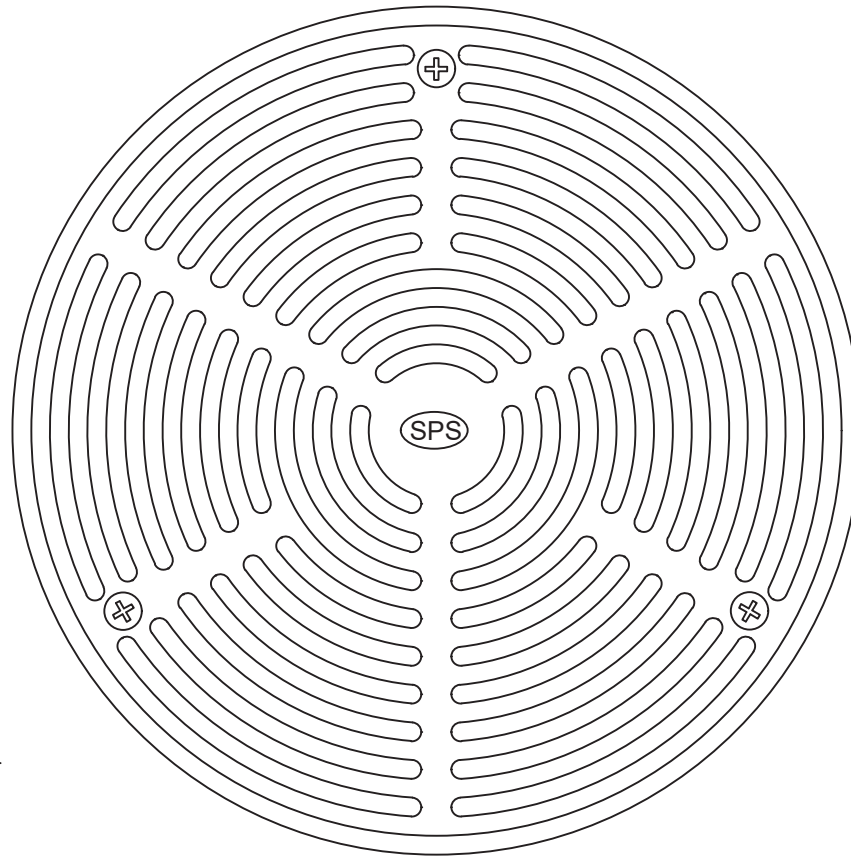


# SPS 225mm Round Push-in Floor Drain

Specification code:  
R225SR (satin 316 stainless steel)

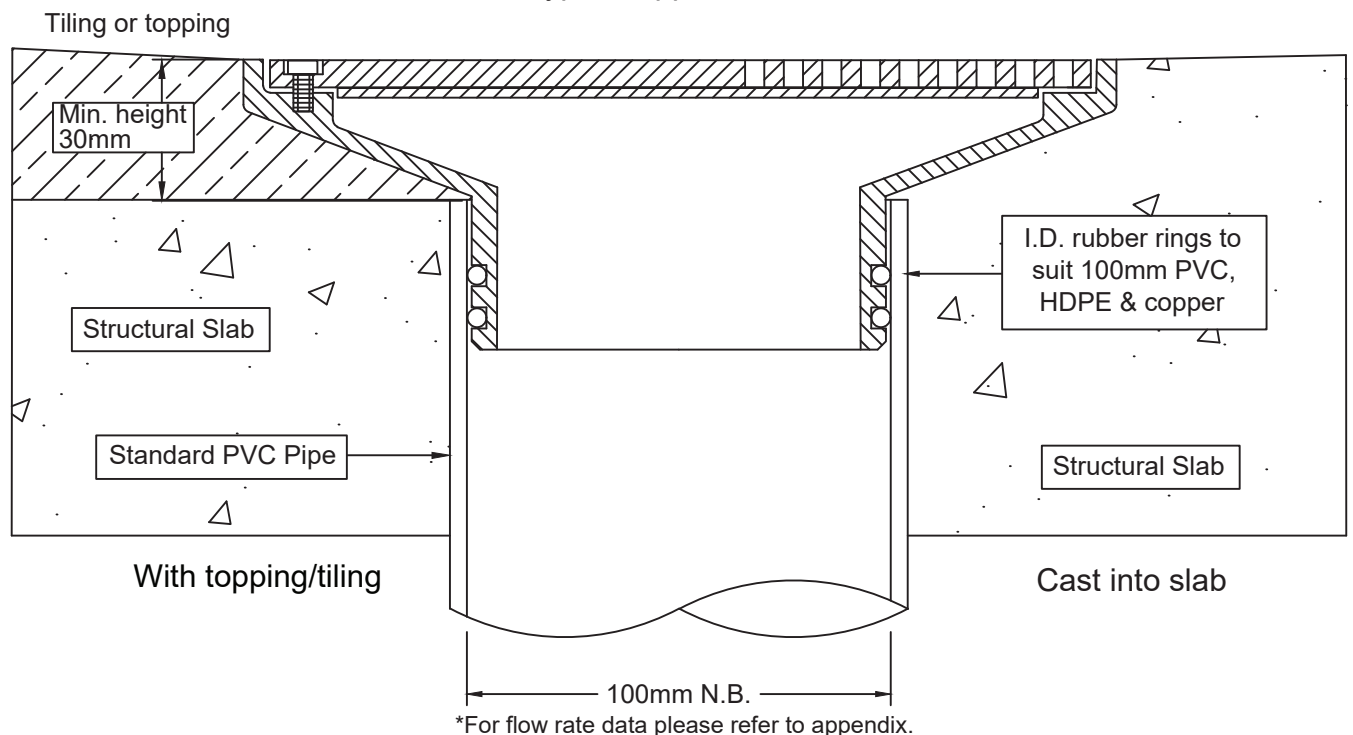
## 100mm Outlet

High-heel friendly pattern (5.5mm gaps)



Installation with puddle flange

### Typical Applications



Metabronze Industries Ltd.

Office: 09 441 3824 Email: sales@metabronze.co.nz Website: metabronze.co.nz