

# SPS 225mm Round Special Downpipe Drain

**Specification code:**

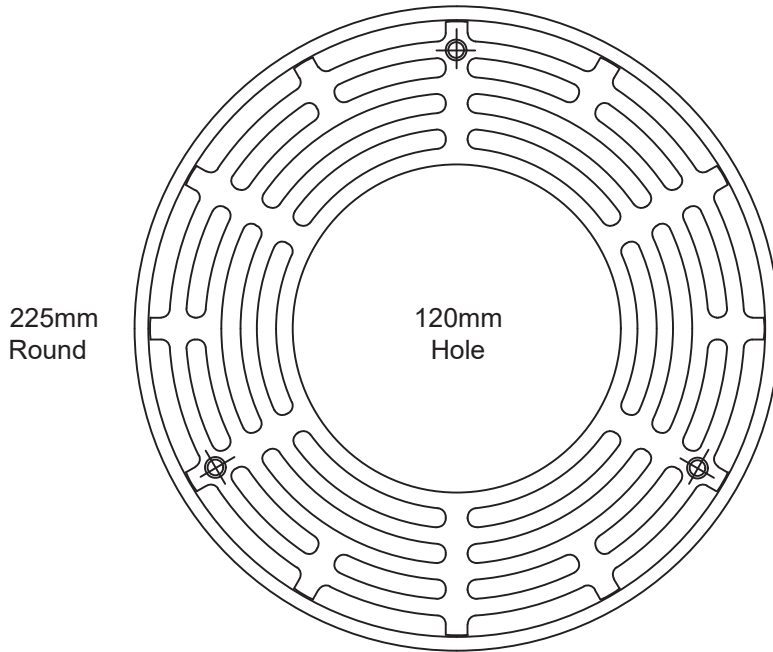
R225SDP4/C100 (Polished 304 SS grate assembly, CI lower body)

R225SDP6/C100 (Satin 316 SS grate & frame ass'y, CI lower body)

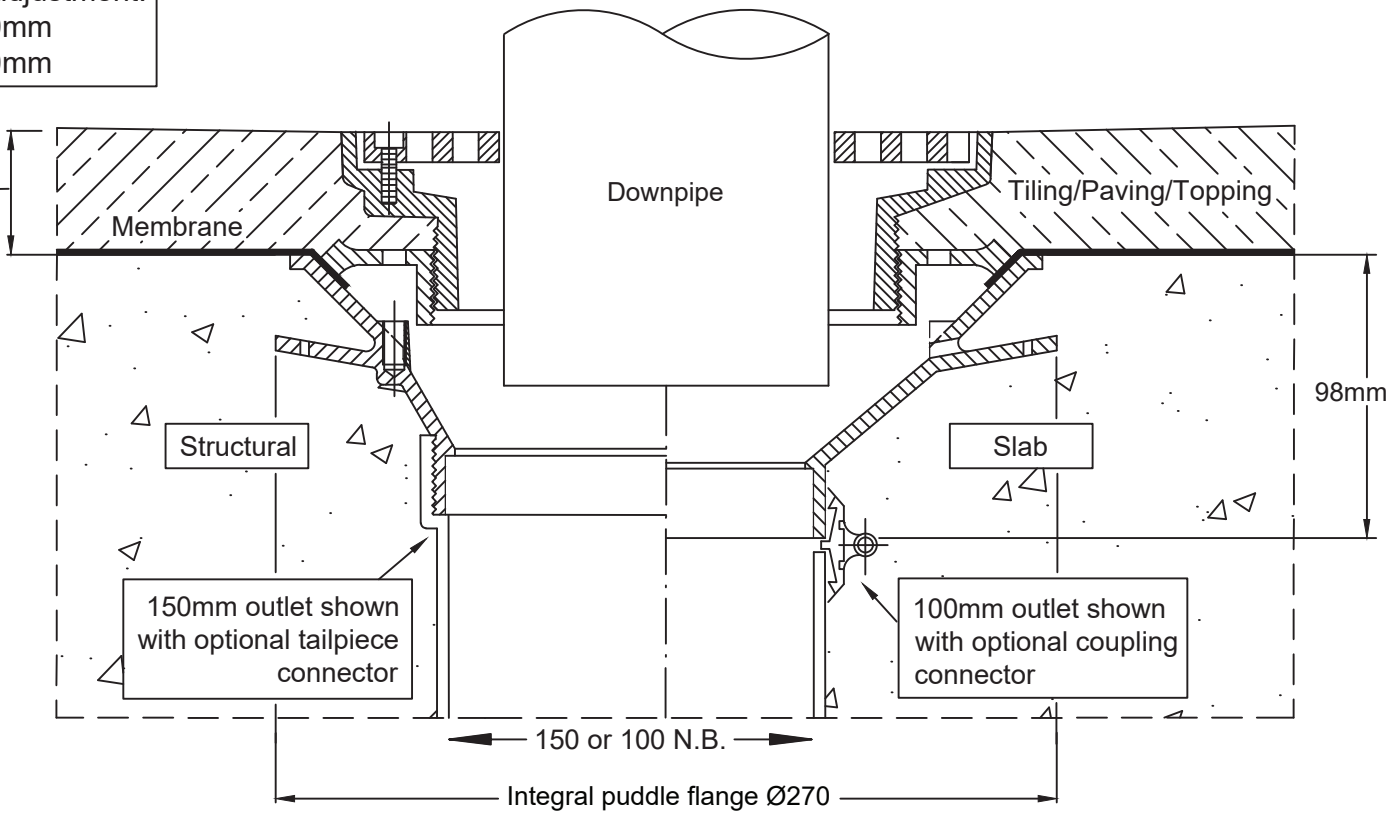
For 150mm outlet, use suffix "C150" not "C100"

## 100mm Outlet or 150mm Outlet

- Height-adjustable high-heel friendly grate assembly.
- Grate assembly features 120Ø hole to allow insertion of 110mm downpipe.
- Available in 304. Note 316 is available on request.
- 100mm or 150mm Truflo CI lower body with 150mm reversible clamp collar.



Height adjustment:  
Min. 30mm  
Max. 70mm



Metabronze Industries Ltd.

Office: 09 441 3824 Email: sales@metabronze.co.nz Website: metabronze.co.nz