

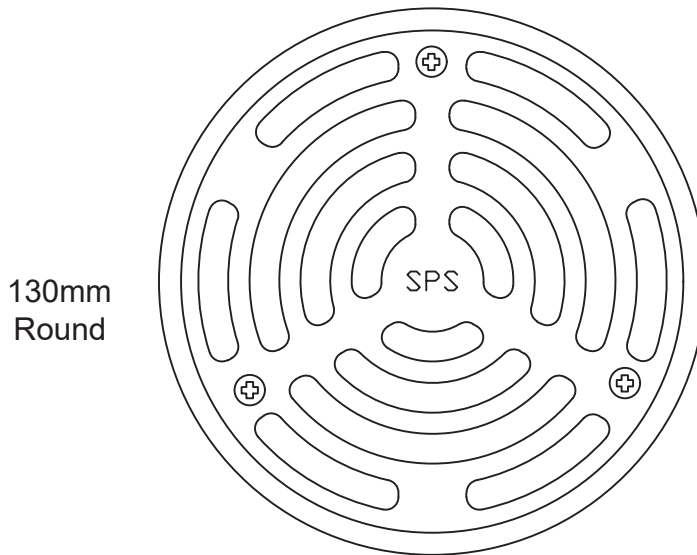
SPS 130mm Round Push-in Floor Drain

Specification codes:

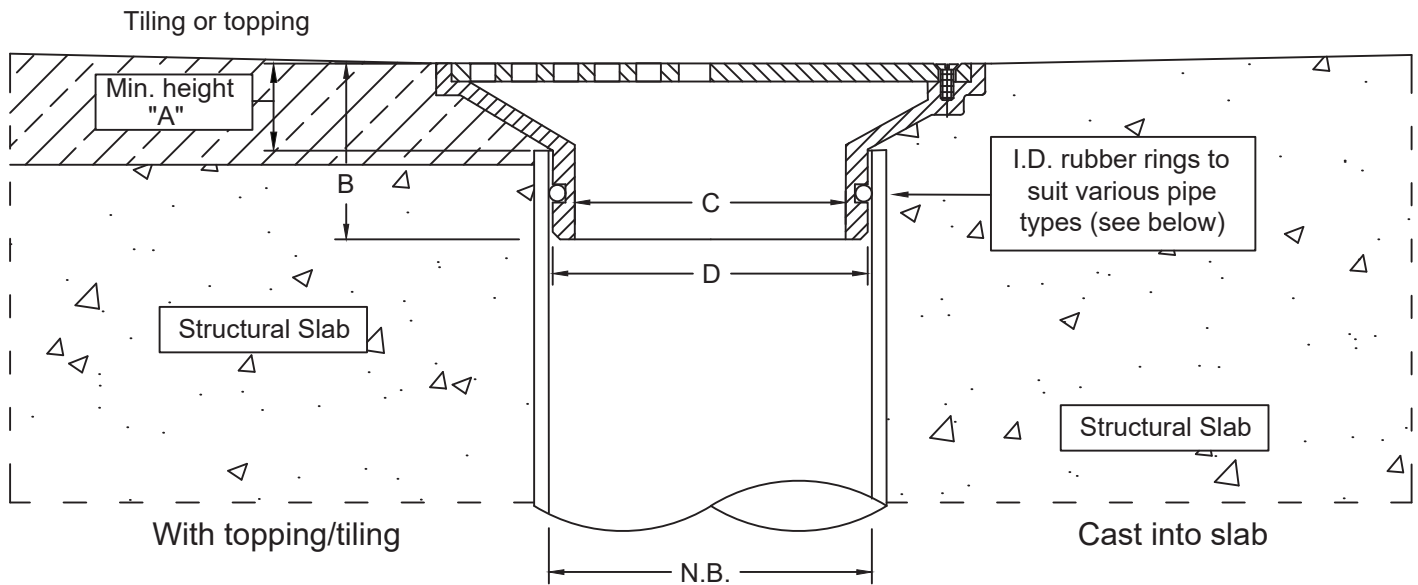
- R130/80SR4 (80mm - polished 304SS)
- R130/80SR (80mm - satin 316SS)
- R130/85SR (90mm - satin 316SS)
- R130SR4 (100mm - polished 304SS)
- R130SR (100mm - satin 316SS)

80mm outlet
90mm outlet
100mm outlet

- Round grate available in 304 or 316 Stainless Steel.
- O-ring spigot pushes into pipe. See below for specific size & material compatibility.



Typical Applications



N.B.	A	B	C	D	Pipe compatibility
80mm	20	49	64	72	PVC and copper
90mm	20	49	75	85.5	PVC stormwater only
100mm	17	41	90.5	97	PVC, HDPE and copper

*For flow rate data please refer to appendix.

Metabronze Industries Ltd.

Office: 09 441 3824 Email: sales@metabronze.co.nz Website: metabronze.co.nz