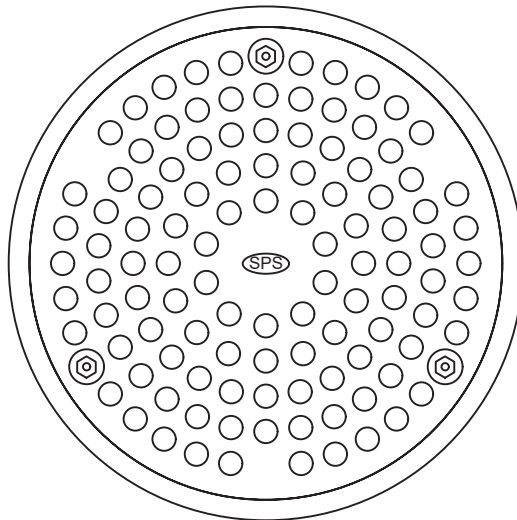


SPS 130mm Round Push-in Prison Drain

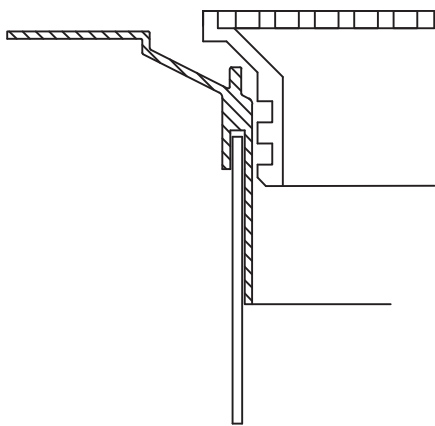
100mm Outlet

Specification code:
 R130SHR4 (satin 304 stainless steel)
 316SS available by special order

- Floor waste includes security screws and 6mm holes for improved tamper-resistance.
- Grate assembly available in 304 stainless steel. 316 stainless steel available by special order.
- Pushes into 100mm PVC, copper, HDPE or cast iron.

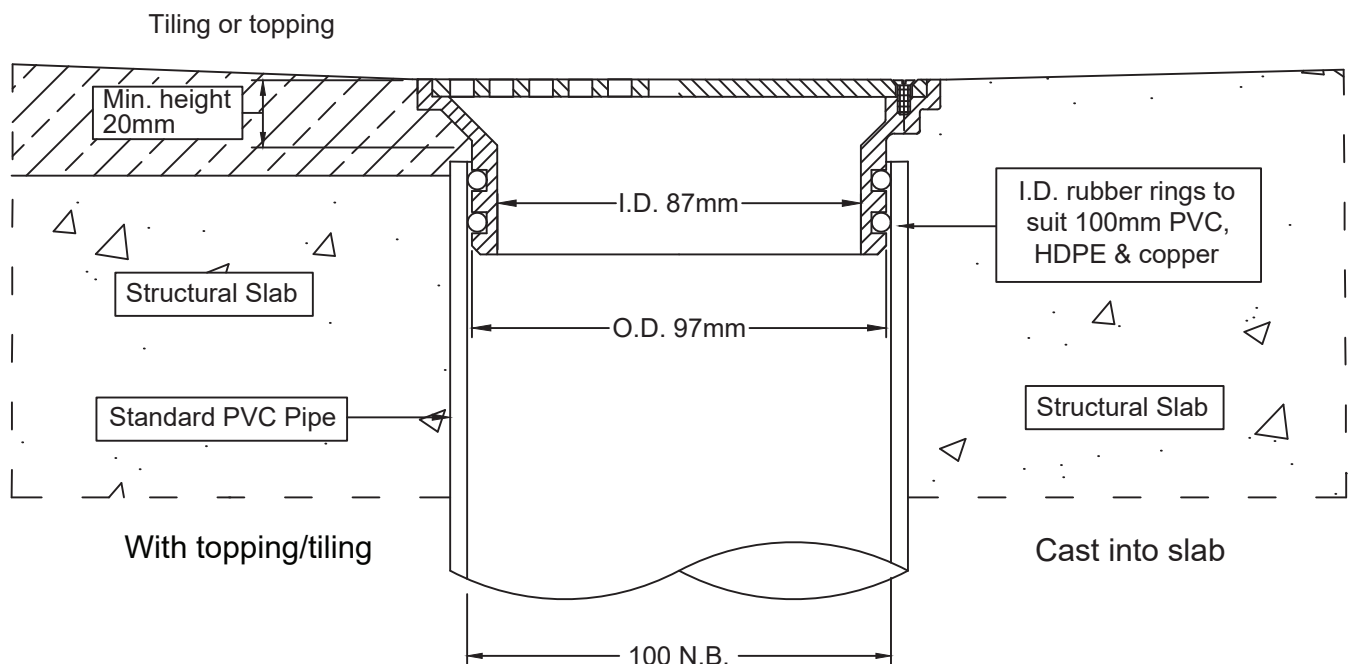


130mm round grate with 6mm holes and "hex-head" or "torx" security screws



Installation with puddle flange

Typical Applications



Metabronze Industries Ltd.

Office: 09 441 3824 Email: sales@metabronze.co.nz Website: metabronze.co.nz