

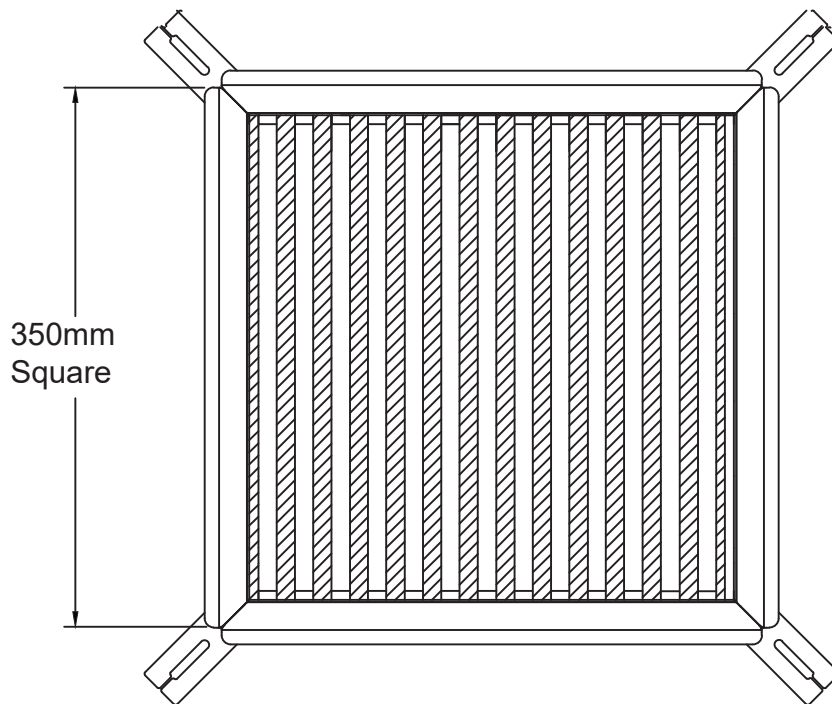
# SPS Square Special Basket Trap (Custom made)

Specification code:

Q300BTA (300mm square full 304SS)

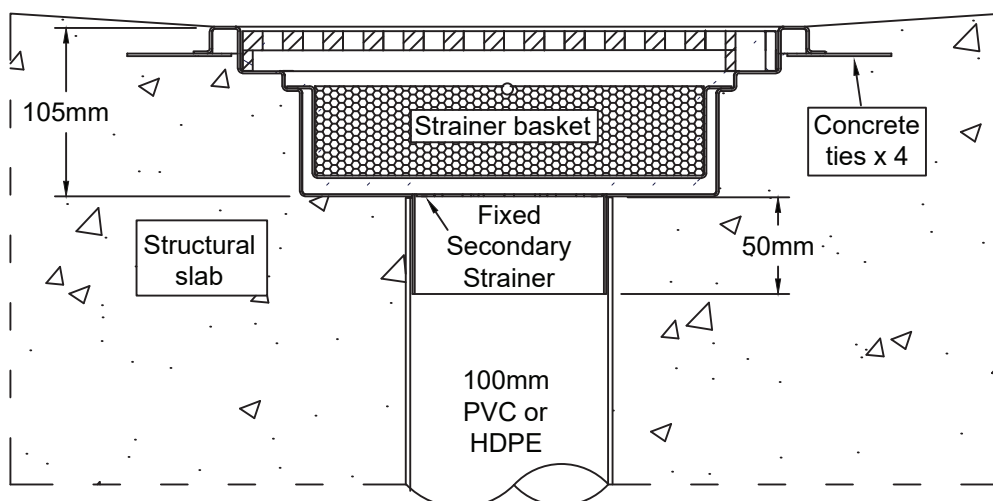
Q350BTA (350mm square full 304SS)

Q450BTA (450mm square full 304SS)



- All-304 stainless steel basket trap assembly.
- Load rated to Class C of AS3996.
- Lift-out grate made from heavy-duty 10x10mm square bar, with 10mm gaps.
- 5mm x 5mm wedge wire (high heel friendly) grating available as option.

Typical application



Metabronze Industries Ltd.

Office: 09 441 3824 Email: sales@metabronze.co.nz Website: metabronze.co.nz