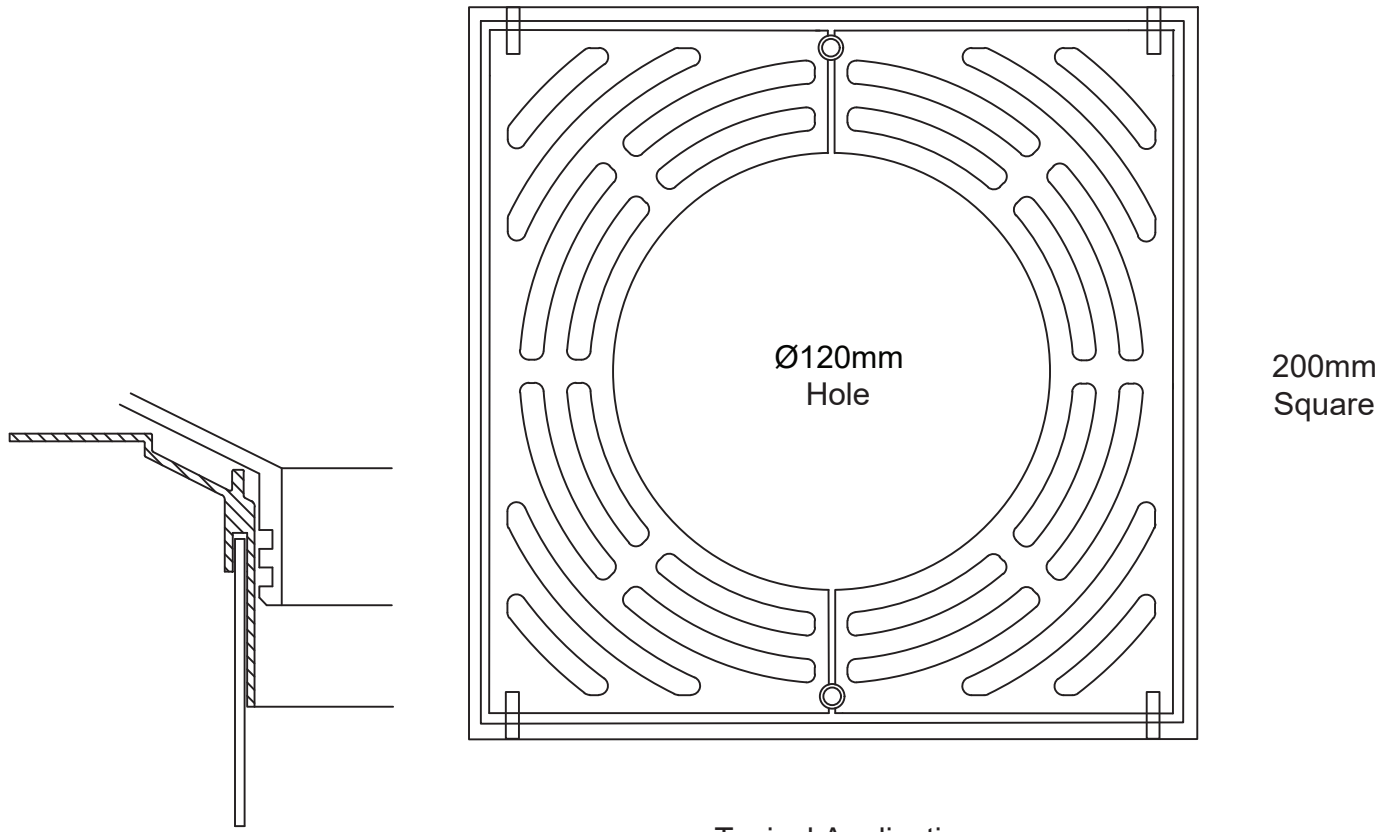


SPS 200mm Square Push-in Floor Drain

Specification code:
 Q200SRDP (satin 316 stainless steel) *Non stock option
 Q200SRDP4 (polished 304 stainless steel)

100mm Outlet
****Downpipe Version****

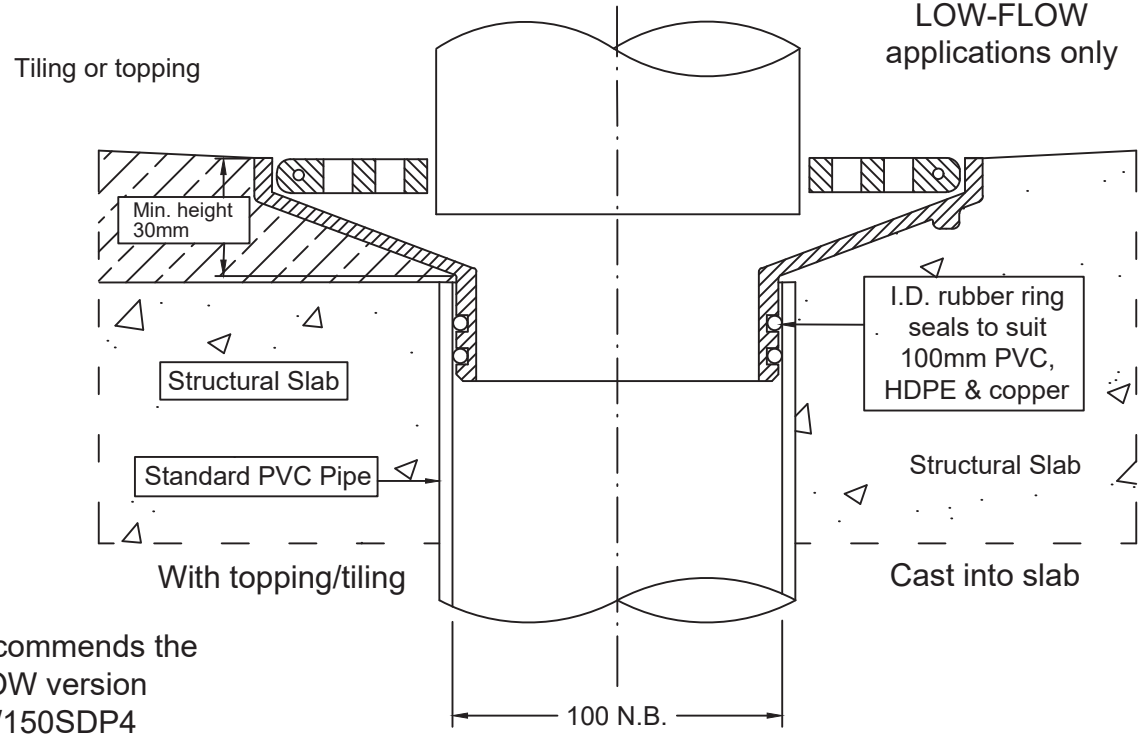
High-heel friendly pattern (6mm gaps)



Installation with puddle flange

Typical Applications

** Suitable for LOW-FLOW applications only



**SPS Recommends the HI-FLOW version Q200/150SDP4