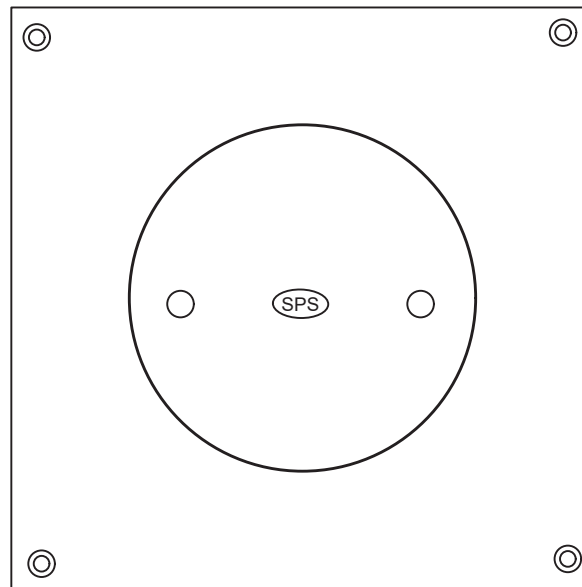


SPS 150mm Square Special Trap Screw

100mm Outlet

Specification code:
Q150IOS (304 stainless steel - slip resistant finish)

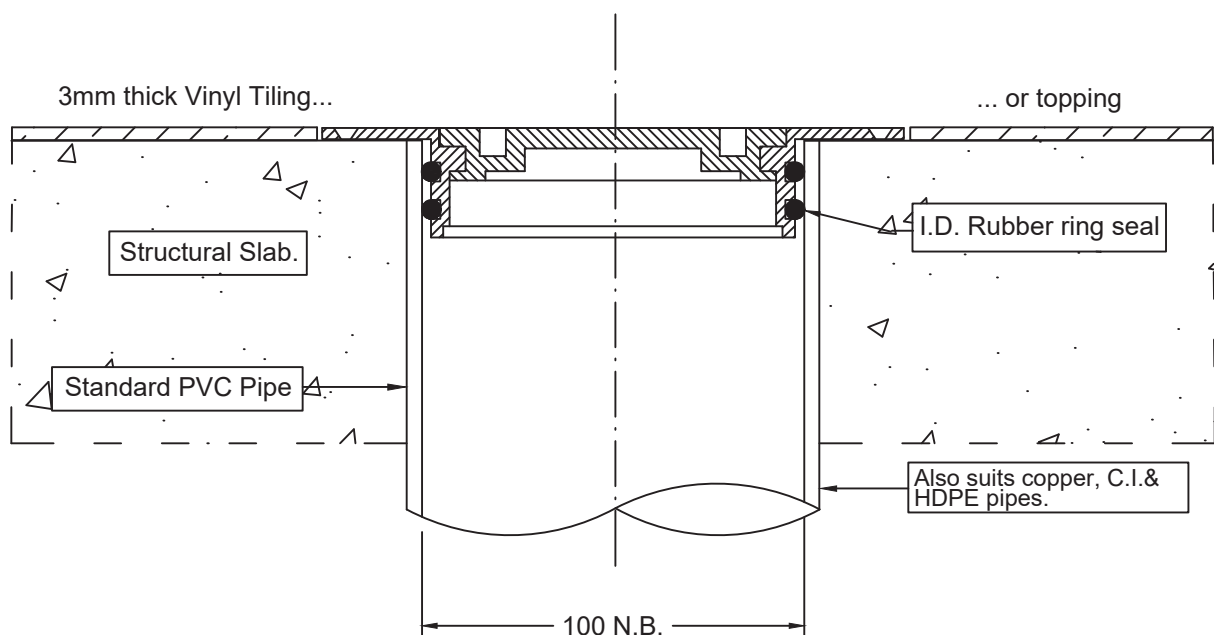
150mm
Square



- Push-in trap screw / inspection opening available in 304 stainless steel. 316 stainless steel non-stock option.
- 3mm thick plate compatible with 3mm vinyl tiling commonly used in supermarkets.

4 x countersunk holes as standard

Typical Application



Metabronze Industries Ltd.

Office: 09 441 3824 Email: sales@metabronze.co.nz Website: metabronze.co.nz