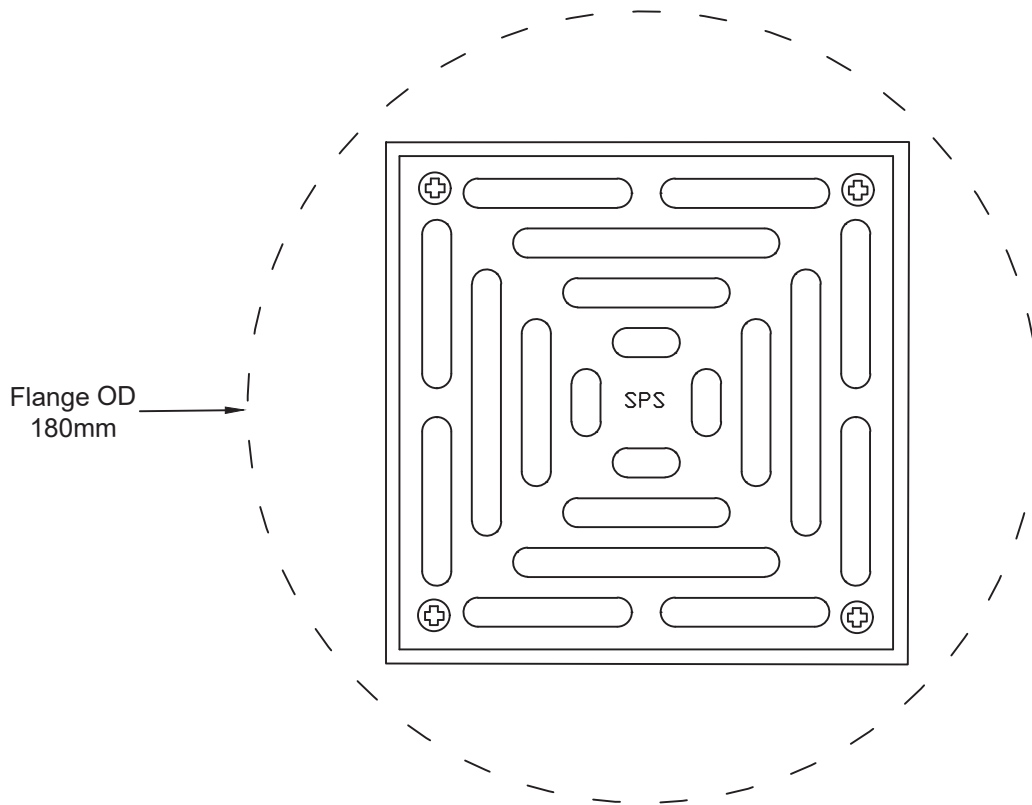


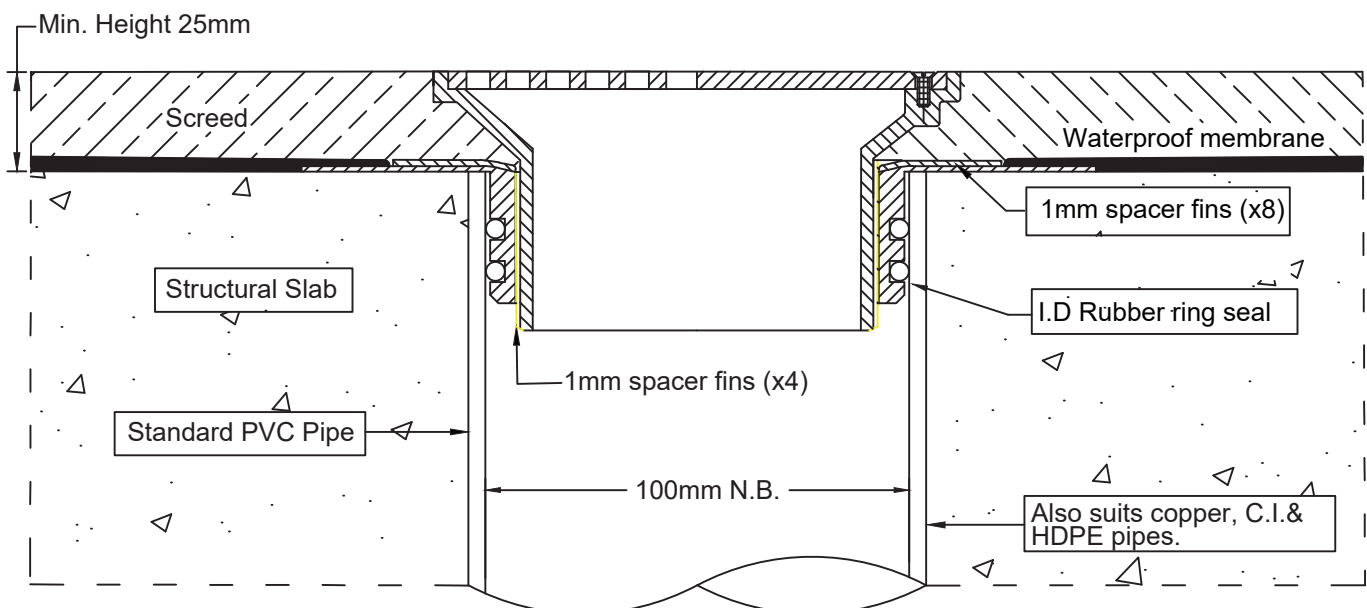
# SPS 130mm Square Floor Waste with 100mm Lo-profile Retro-fit Puddle Flange

**Specification codes:**  
 Q130/87S/PF (Polished 304 Stainless Steel)  
 Q130/87S6/PF (Satin 316 Stainless Steel)  
 Includes 100mm retro-fit puddle flange in ABS plastic

- Retro-fit puddle flange with ultra-thin face.
- Floor waste assembly slips inside I.D. of flange. 1mm spacer fins allow for proper leak control.
- Available in polished 304 or satin 316 stainless steel.
- Cleanouts also available - polished and non-slip.



Typical Application



Metabronze Industries Ltd.

Office: 09 441 3824 Email: sales@metabronze.co.nz Website: metabronze.co.nz