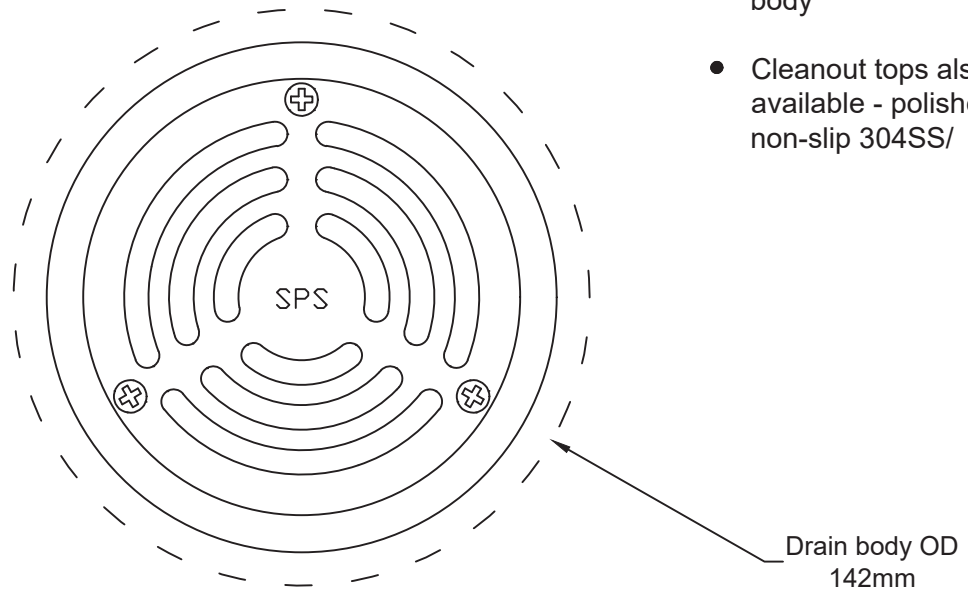


SPS 100mm Extra Compact Push-in Vinyl Floor Waste/Cleanout with Uni-Fin

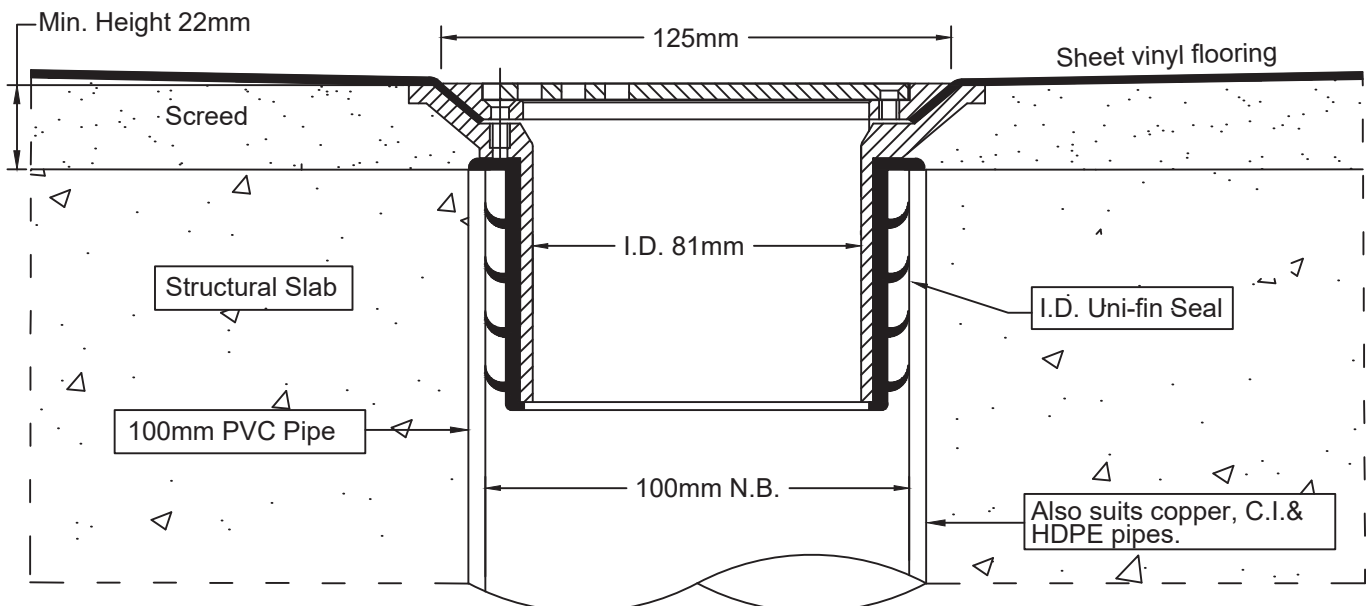
Specification codes:

Floor waste: LG87SVAF (ABS body, 304SS top)
 Cleanout (polished) LG87SVPF (ABS body, 304SS top)
 Cleanout (non-slip) LG87SVPNF (ABS body, 304SS top)

- Lo-profile vinyl floor waste slips inside 100mm PVC, HDPE and copper with the new Uni-fin adapter.
- Polished 304-grade stainless steel ring and grate, ABS plastic lower body
- Cleanout tops also available - polished or non-slip 304SS/



Typical Application



Metabronze Industries Ltd.

Office: 09 441 3824 Email: sales@metabronze.co.nz Website: metabronze.co.nz