

SPS 100mm Ultra Compact Push-in Vinyl Floor Waste/Cleanout

Specification codes:

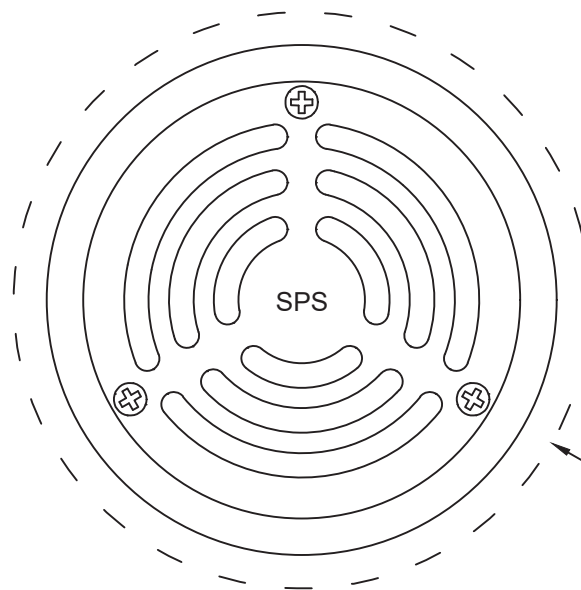
Floor waste: LG810SVA (ABS body, 304SS top)

Cleanout (polished) LG810SPA (ABS body, 304SS top)

Cleanout (non-slip) LG810SPNA (ABS body, 304SS top)

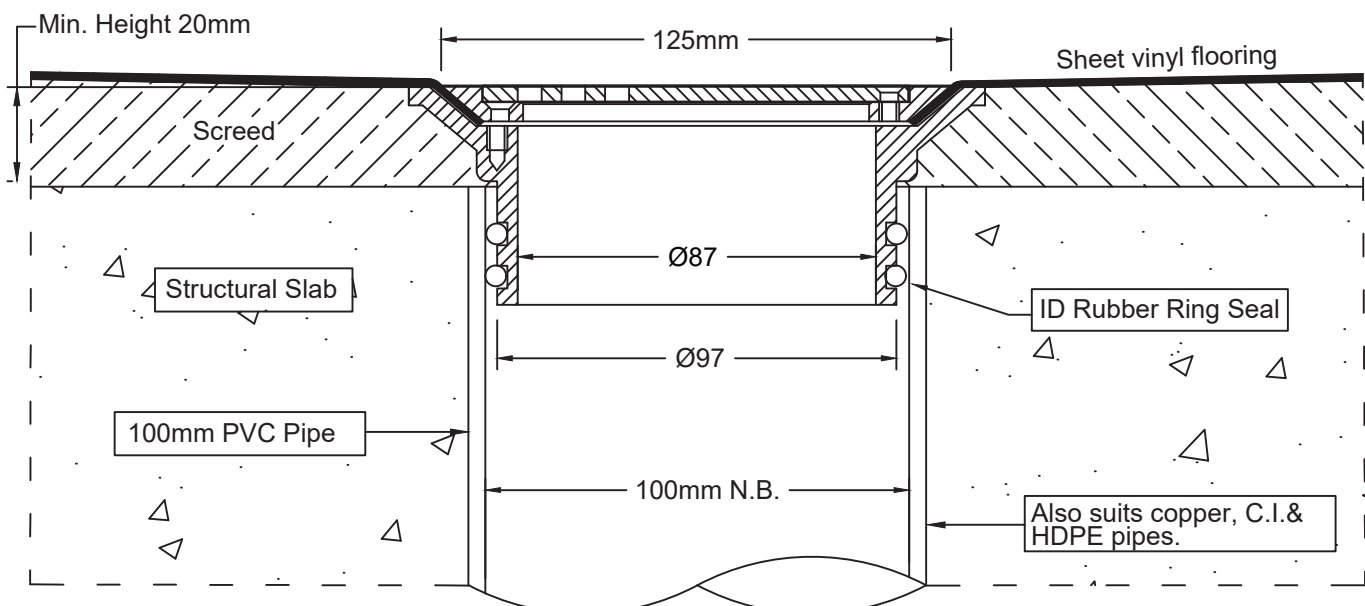
- Lo-profile vinyl floor waste slips inside 100mm PVC, HDPE and copper with appropriate o-rings.
- Polished 304-grade stainless steel ring and grate, ABS plastic lower body
- Cleanout tops also available - in polished or non-slip 304SS.

Ultra-compact:
Vinyl Clamp
OD 125mm



Drain body OD
142mm

Typical Application



Office: 09 441 3824 Email: sales@metabronze.co.nz Website: metabronze.co.nz