

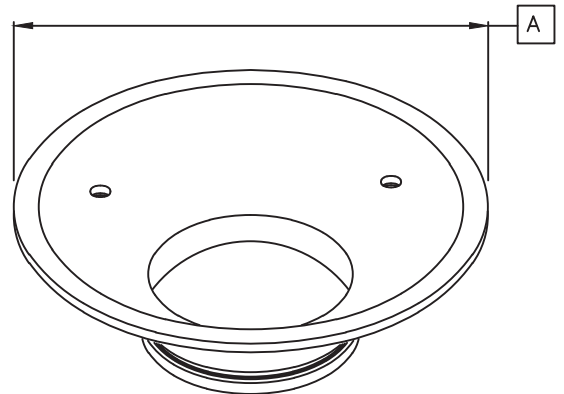
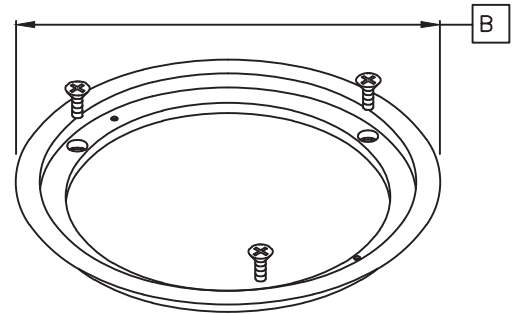
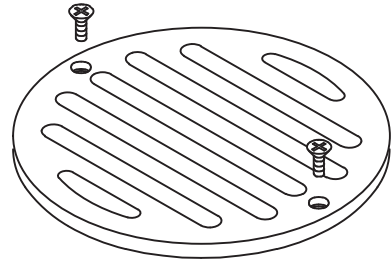
SPS 50mm Push-In Sheet Vinyl Floor Waste

Specification codes:

LG50SSA4 (entire assembly in 304 stainless steel)

LG50SSA6 (316 SS ring/grate, 304 SS body) *special order*

- Push-in floor waste assembly for sheet vinyl flooring.
- Available in all 304 stainless steel. 316 stainless steel top available by special order only.
- O-ring adapts outlet to 50mm PVC.



DIMENSIONAL DATA

NOMINAL OUTLET DIAMETER	DIMENSION IN MILLIMETRES			
	ØA	ØB	ØC	ØD
50	112	100	35	42

Typical Application

