

220mm Round Sheet Vinyl Floor Drain Vari-Level Side-Outlet Lower Body

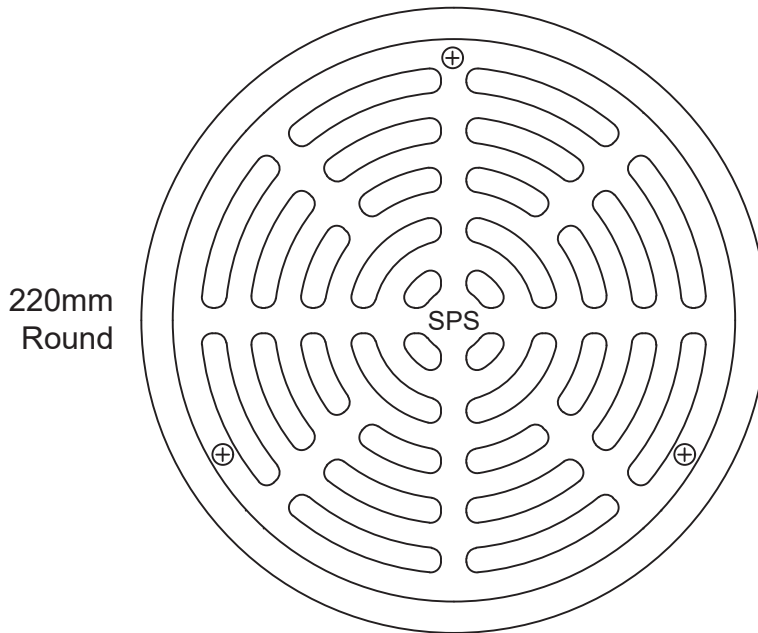
Specification codes:

LG150S4/C109 (polished 304 SS grate, CI lower body)

LG150S6/C109 (satin 316 SS grate, CI lower body) *special order*

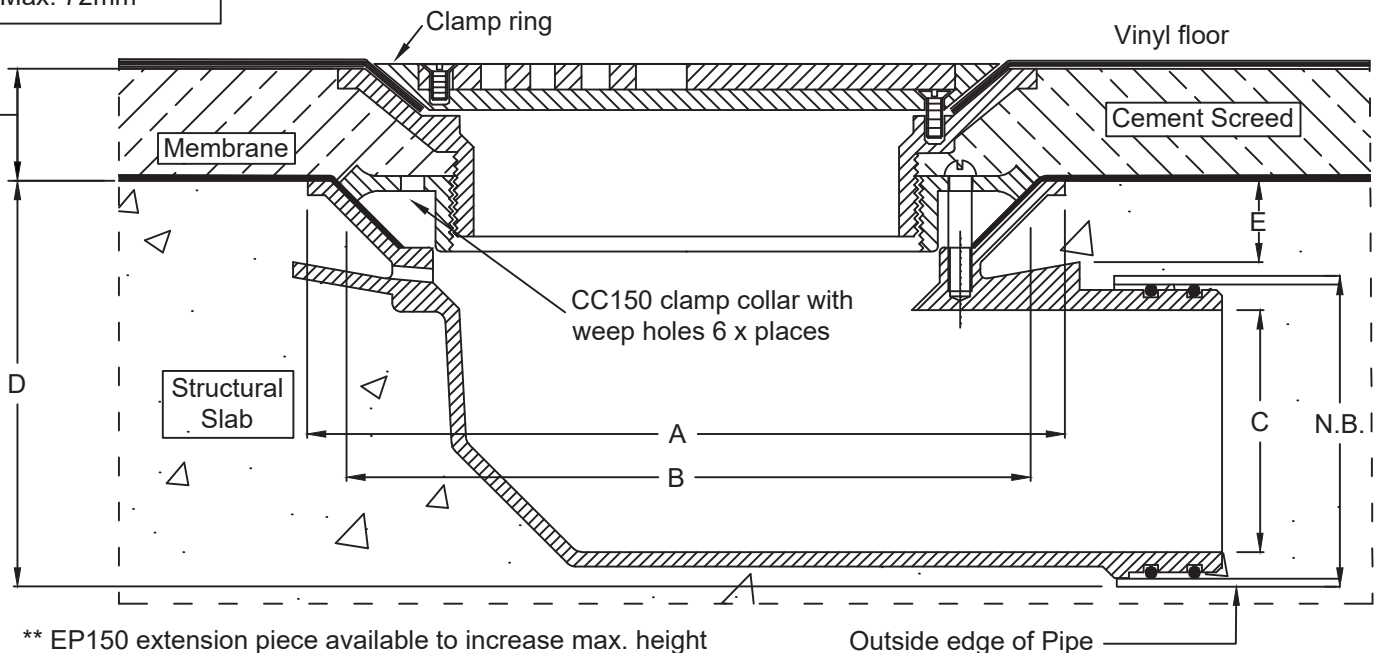
Side outlet - "C109" = 100mm; "C89" = 80mm

100mm outlet
80mm outlet



- Height-adjustable vinyl floor waste assembly.
- Drain body available in 304 stainless steel. 316 stainless steel available by special order.
- Grate & ring available in polished 304 stainless steel. Satin 316 stainless steel available by special order.
- CI Truflo 90° lower body with 150mm reversible clamp collar & i.d. rubber ring for 100mm PVC, HDPE & copper pipe; or 80mm PVC.

Height adjustment:
Min. 30mm
Max. 72mm**



** EP150 extension piece available to increase max. height

N.B.	A	B	C	D*	E
80	260	240	62	115	28
100	260	240	83	140	28

Metabronze Industries Ltd.

Office: 09 441 3824 Email: sales@metabronze.co.nz Website: metabronze.co.nz