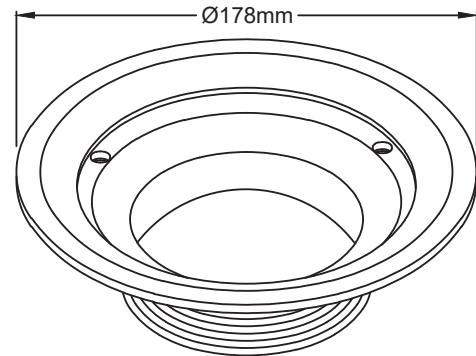
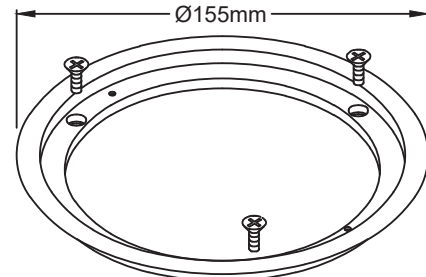
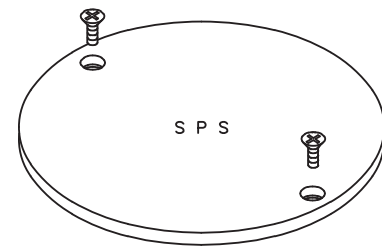


SPS 155mm Round Sheet Vinyl Floor Cleanout (Vari-Level)

Specification codes:

LG100SP4/C (Polished 304SS top & drain body, CI lower body)
 LG100SP6/C (Satin 316SS top, 304SS drain body, CI lower body)
 For retro-fit body use suffix "/Q"

- Height-adjustable vinyl floor cleanout assembly.
- Drain body available in 304 stainless steel. 316 stainless steel available by special order.
- Top available in polished 304 stainless steel. Satin 316 stainless steel available by special order.
- C100A CI "deluxe" lower body with reversible clamping collar ("/C").
- Optional CI retro fit lower body fits inside 150mmØ core hole ("/Q").



Height adjustment:
 Min. 25mm
 Max. 50mm**

Typical Application

