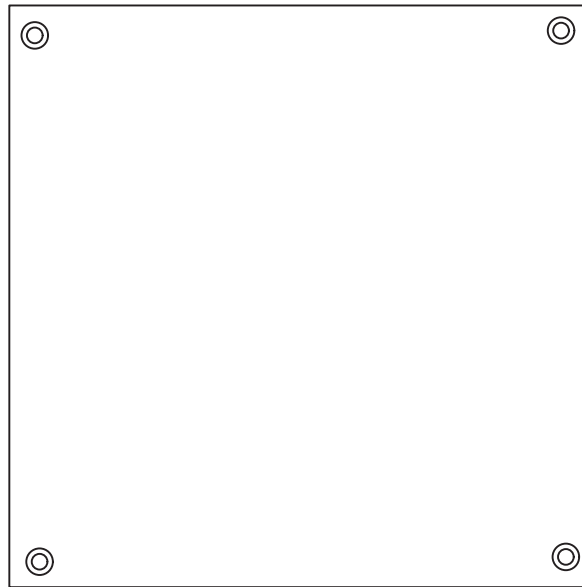


SPS 150mm & 200mm Square Inspection Cover

Specification code:
IO150S (304 stainless steel)
IO200S (304 stainless steel)

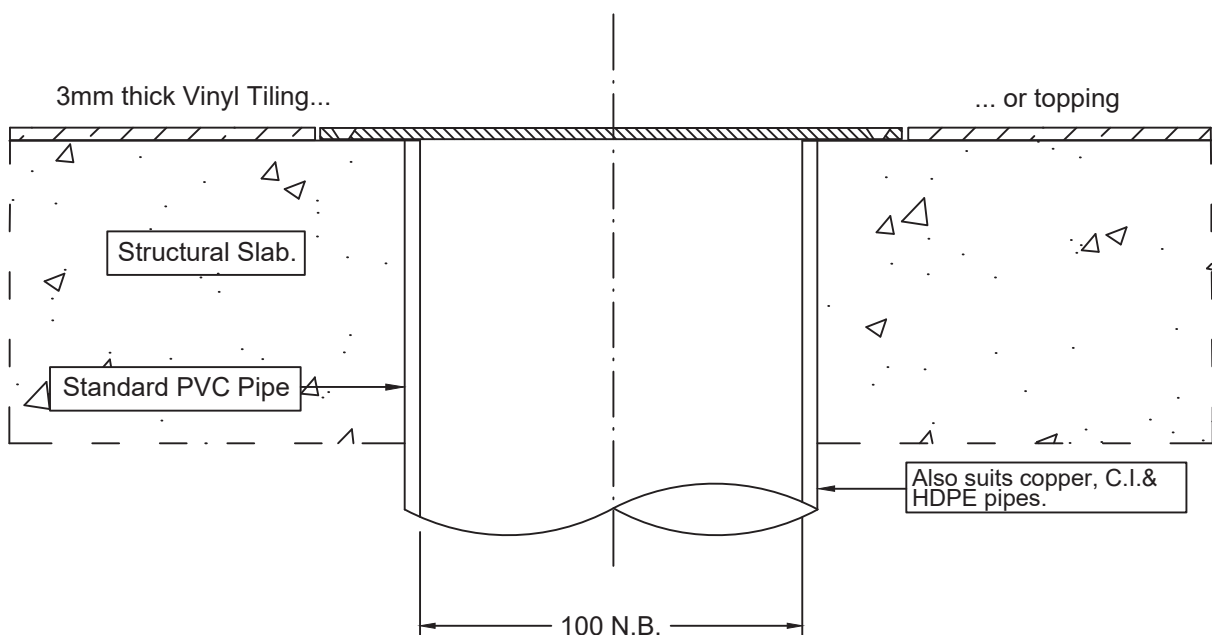
150mm
or
200mm
Square



- Inspection opening cover available in 304 stainless steel. 316 stainless steel non-stock option.
- 3mm thick plate compatible with 3mm vinyl tiling commonly used in supermarkets.

4 x countersunk holes as standard

Typical Application



Metabronze Industries Ltd.

Office: 09 441 3824 Email: sales@metabronze.co.nz Website: metabronze.co.nz