

# SPS Special Dome/Flat 90° Balcony Drain

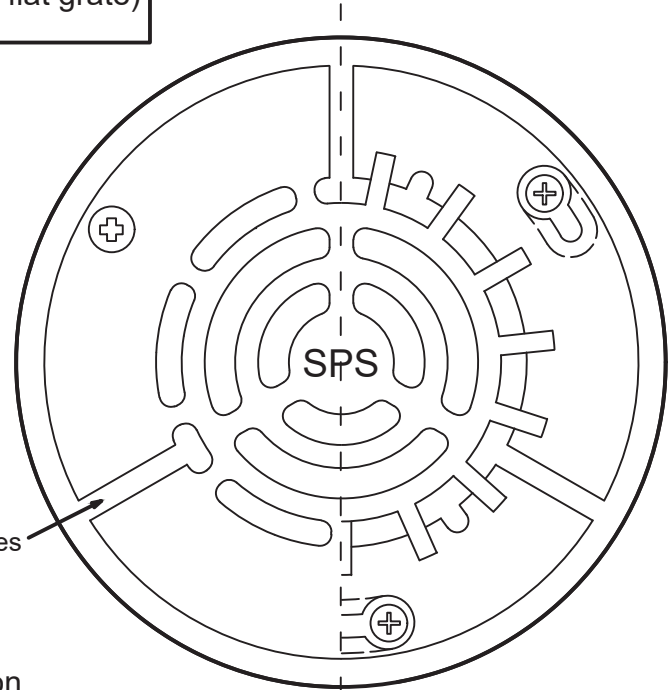
## 65/50mm outlet

**Specification code:**

C50/90AD (ABS lower body, LM6 aluminium dome)

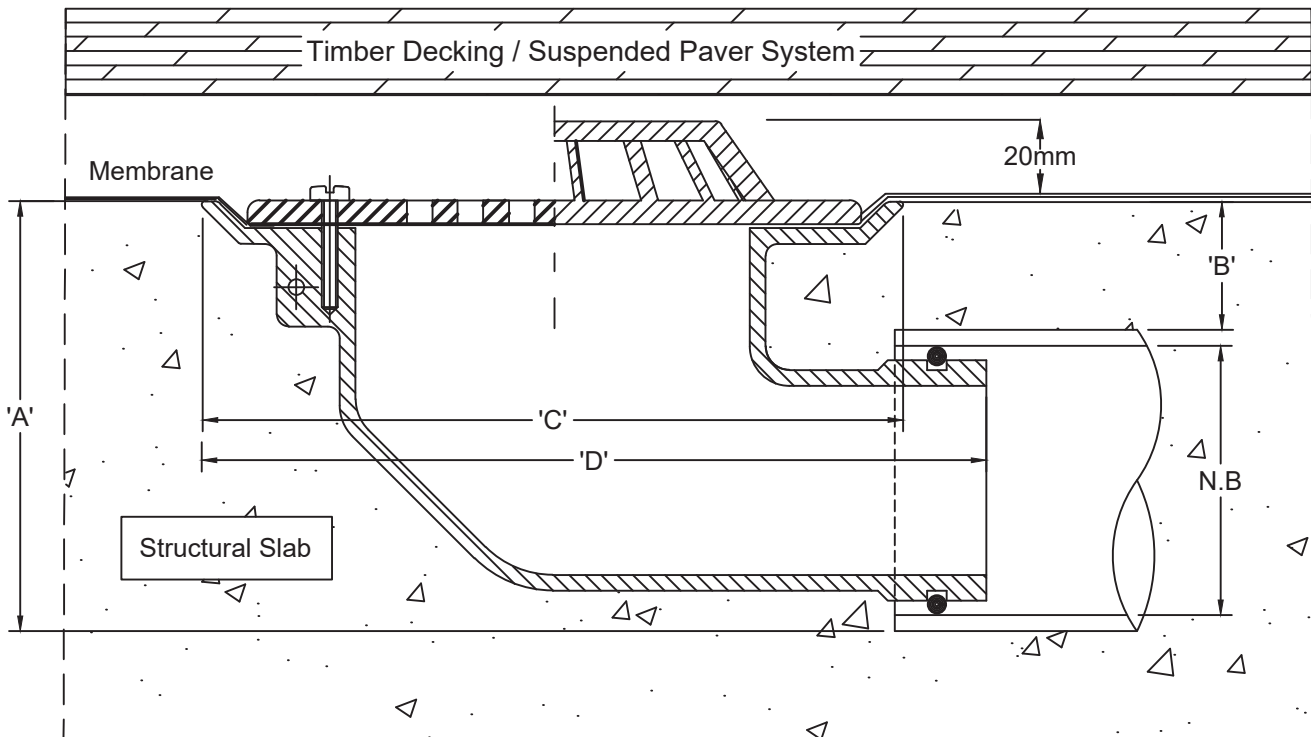
C50/90AF (ABS lower body, LM6 aluminium flat grate)

- Special flat or dome grate adapts to side outlet balcony drain body.
- Suitable for waterproofed balconies / podia with timber decking or suspended paver systems.



Weep Holes  
3 x places

Typical Application



Spigot pushes into 65mm PVC or copper with o-ring connection, or connects to 50mm PVC/HDPE with no-hub coupling.

N.B.	A	B	C	D
50	100	40	180	200
65	105	37	180	200

Metabronze Industries Ltd.

Office: 09 441 3824 Email: sales@metabronze.co.nz Website: metabronze.co.nz