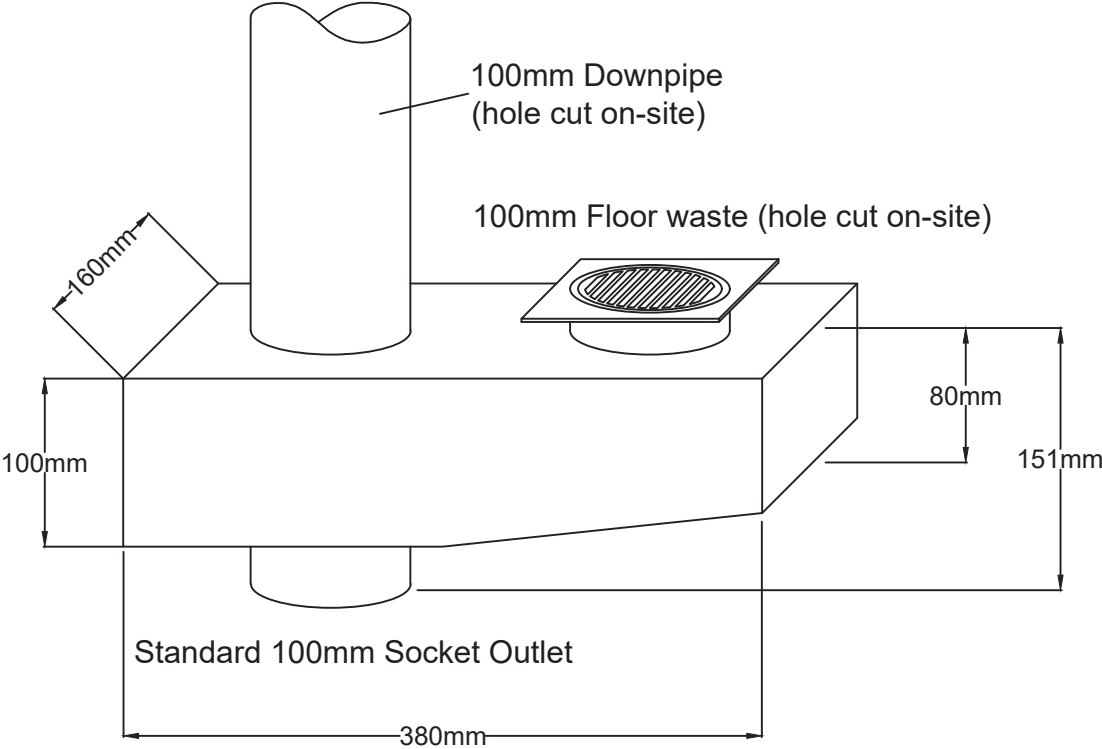


SPS 100mm Dual Inlet Balcony Box

Specification codes:
BB100 (injection-moulded uPVC plastic)



Typical Application

